

# Physical Therapy.



# Four cell baths.

The treatment options in a **four cell bath** are numerous: **galvanic baths, equipped with 4 pulsed currents** as a standard feature, are possible as well as Kneipp-style alternating hot and cold water baths or rising temperature baths. Baths with therapeutic alternating temperature jets can be administered automatically with the accessory equipment WBS. A stationary, height-adjustable swivel chair allows the patient to be lifted or lowered as required.

Model Wörishofen GI-VZ WBS



Microprocessor-controlled >  
electrical element GI-VZ  
Electronic control for >>  
contrast bath treatment, WBS

Stationary, height-adjustable >  
swivel chair (500mm lifting  
360° swivel motion)



## GALVANIC BATHS GI-VZ.

> Microprocessor-control GI-VZ for single and multiple cell treatment (see GI column in table on page 5).

## KNEIPP-STYLE CONTRAST BATHS.

> The cells are filled with water of differing temperatures. Kneipp therapy involves immersing the arms and legs in the water. Manually regulated rising temperature baths can also be administered.

## CONTRAST BATH TREATMENT WBS (OPTION).

> Digital indication of warm and cold treatment periods.  
> Digital indication of the number of alternating treatments.  
> Touch pad for easy operation.  
> Service-friendly integration in control panel.  
> Low water consumption due to spraying nozzles.  
Pleasant and comfortable treatment.

# Environment friendly production – Made in Germany.

The world relies on Trautwein. Especially as far as products for physical therapy, patient care and wellness are concerned. Our over 10,000 satisfied customers on every continent include clinics, care facilities, rehabilitation centres, therapeutic practices, homes for the elderly, hotels and private customers. We take a responsible approach to the environment and the next generation. Our 1.800 m<sup>2</sup> solar power plant generates more than 100 percent of our whole electricity requirements. Trautwein GmbH even received an award from the WWF for its commitment to the environment.



Trautwein GmbH  
Denzlinger Straße 12  
79312 Emmendingen  
Germany



Tel. +49 (0) 7641/46 77-30  
Fax +49 (0) 7641/46 77-70  
info@trautwein-gmbh.com  
www.trautwein-gmbh.com

Technology for the senses.

**TRAUTWEIN**

Technical details subject to change.

Four-chamber bath  
model Wörishofen  
type GI-VZ  
part-no. AT3081

consisting of:

compact appliance, built-on arm tubs on consoles, cladding with height-adjustable feet and revision doors. Baths and other casing made from reinforced fibreglass plastic, heat and acid-resistant.

Choice of colour according to colour chart.

**Fittings:**

- 1 chromium plated thermostatic safety mixing valve ½", under plaster, insulated built-in;
- 4 insulated built-in cocks ½";
- 2 plastic inlets according DIN 1717 for arm tubs;
- 2 plastic inlets according DIN 1717 for foot tubs;
- 4 plastic standpipes for drainage and overflow 1 ¼";
- 2 hose connections to the armbaths for filling with connector angle pieces, insulated;
- 8 special steel electrodes (patented) material 1.4571, electrolytically polished, detachable, arranged in a sliding way to suit the body, with protective corner profiles made of plastics.

**Integrated, micro-processor controlled electrical element, type GI-VZ with 4 pulse currents:**

The unit is a compact design, all connections via plug-type connectors.

- Digital numerical indication of current and voltage
- Membrane keyboard for simple operation with easily understandable symbols
- 2 functional keys ON (with LED) and OFF
- 4 keys for individually selectable polarity of electrodes (plus, minus, off)
- 1 key for single cell bath BI-POLAR
- 1 key for multiple cell bath MONO-POLAR
- 1 key for pole commutator
- 1 key for galvanic current
- 1 key for faradic current
- 2 keys for galvanic current up and down
- 1 key for start
- 1 LED for malfunction
- 1 LED for loadcontrol

supply voltage           24 V AC  
power consumption       80 W  
output voltage (galv./imp.) 0–24 V DC / 0-7 V AC  
output current (galv./imp.) 0–2 A DC / 0-300mA AC  
CE - Sign



3

**Following parts are production line included:**

**Part-no. SU0010**

4 selector keys for the superposition of the following pulsed currents:

Monophase (sinusoidal half-wave) 50 Hz, e.g. for the increase of the muscular tonus, the improvement of the blood circulation and for the treatment of pains.

Ultra irritation current rectangle 140 Hz ratio pulse/pause 2/5 e.g. for the treatment of myalgia, lumbalgia and muscular hypertonia.

Rectangular threshold current 50 Hz, with 0,5 Hz sinusoidal superposition e.g. for the efficient treatment of myalgia, neuralgia, lumbalgia and for electro-gymnastics for muscular contraction and reinforcement.

Rectangular threshold current 50 Hz, with 2 Hz sinusoidal superposition e.g. for the efficient treatment of strain, contusions and haematomas.

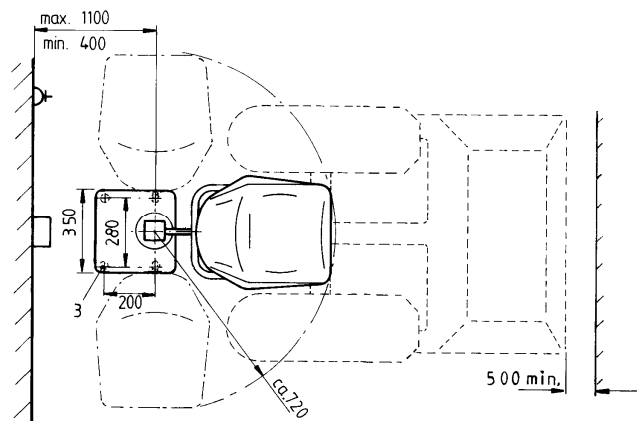
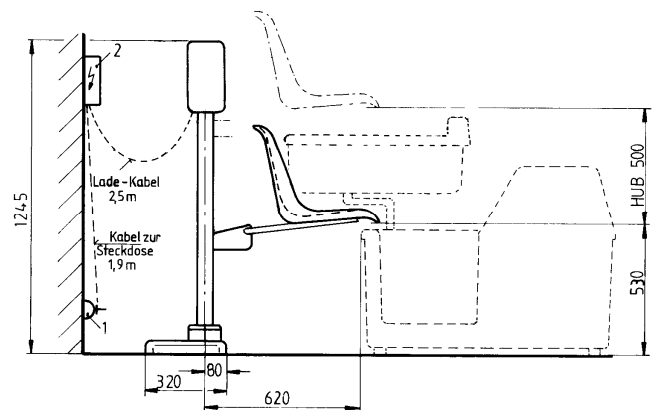
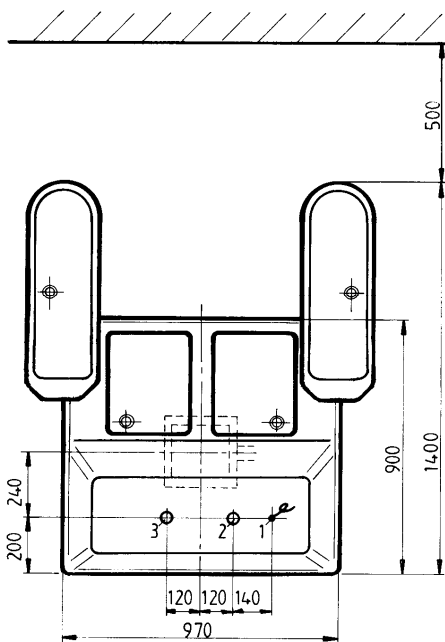
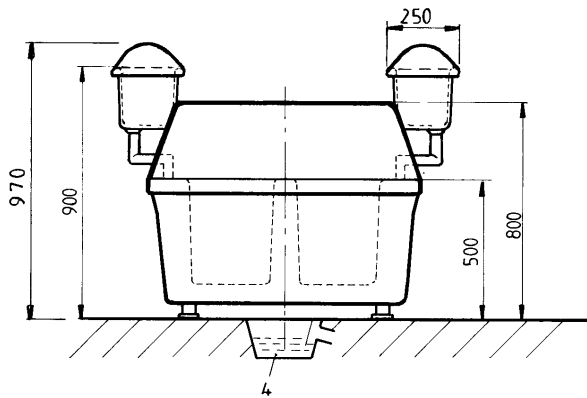
**Accessories:** see overview sheet 14.03.01 and 14.03.02 special fittings and accessories

Technical details subject to change

**Trautwein GmbH, 79312 Emmendingen**

Tel.: 07641/4677-30 Fax: 07641/4677-70  
Internet: <http://www.trautwein-gmbh.com>

14.03.10



**Four-chamber bath  
model Wörishofen  
type GI-VZ  
part-no. AT3081**

**On-site connection (Four-chamber bath)**

1. Electr. floor connection 230 V/1/N/SL 50 Hz, 0,1 kW, cable 1,5 mm<sup>2</sup> 1 m long
2. cold-water sleeve ½" flush with floor
3. warm-water sleeve ½" flush with floor
4. drainage with odour trap Ø 100

**On-site safety measures (Four-chamber bath)**

stop cock warm and cold water.  
All-pole circuit breaker within the room.  
Ground fault circuit indicator, nominal fault current max. 30 mA, UB=24 V  
Within reach of the tub (2,50 m above, 1,25 m to the side)  
no parts, appliances, etc. conducting or connected to earth potential. electric installation according DIN IEC/VDE

Minimum door width: 81 cm  
weight: 90 Kg

**Swivel chair adjustable in height  
part-no. ZT 3009**

**On-site connections (Swivel chair)**

1. socket 230 V, 50 Hz, power supply via fuses 16 A, protection switch, nominal fault current max. 30 mA. Max. distance to battery-charger 1,5 m.
2. battery-charger (included)
3. 4 x M10 Upat-anchor UKA 3, bore-hole Ø 10mm x 90mm deep in concrete.

Technical details subject to change